

# AFT Titan™ 4

## Achieve Significant Cost Savings in Your System Designs

AFT Titan is powerful analysis software used to intelligently size piping and ducting systems to minimize cost. It offers a dramatic improvement to the traditional design process. Built on the advanced flow analysis and system modeling capabilities of AFT Arrow™, AFT Titan can simulate your piping system in complete detail. Designed for compressible flow systems containing steam, compressed air, chemical and petrochemical process gases, natural gas transport and more, AFT Titan provides the power of informed decision making to help you achieve your cost goals.



### Capabilities

- Intelligently sizes your entire system
- Identifies critical cost saving opportunities
- Evaluates the most cost effective trade-offs between system component sizes
- Automatically determines the best possible sizes for pipes, ducts, compressors and fans, valves and other components
- Provides a comprehensive approach rarely practical with traditional methods due to the large number of variables and constraints involved
- Compatible with your existing AFT Arrow models

### Benefits

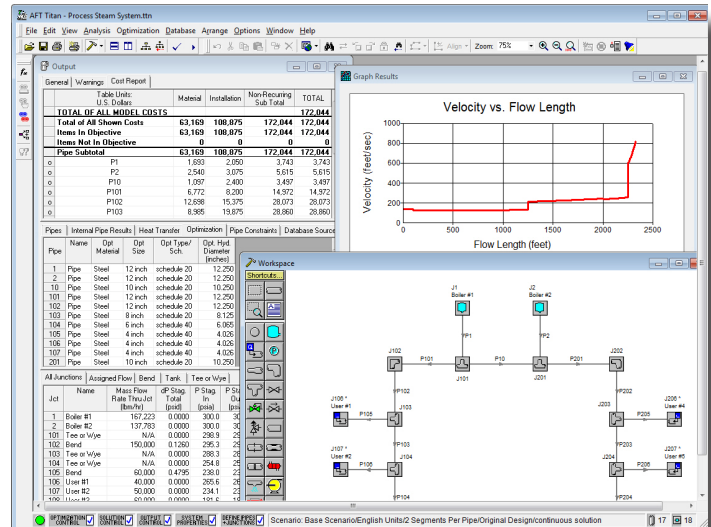
- Capital cost savings
- Operating cost savings
- Achieve inherent system flow balance
- Insure performance requirements are met over multiple design cases
- Understand what really drives your design
- Understand the fluid dynamic and thermodynamic behavior of your system

### Typical Applications

- Minimizing the initial cost of your system designs
- Minimizing the life cycle cost of your system designs
- Meeting specific design parameters including minimum pipe weight, volume or surface area

## Features

- Advanced optimization engine to automatically determine best possible pipe and equipment sizes
- Comprehensive system modeling capabilities
- Scenario Manager tracks all design variants and operational possibilities in a single model file with data linkage
- Integrated graphing and reporting
- Conducts thermal analysis including piping heat transfer and heat exchanger modeling
- Built-in library of fluids and fittings can be extended and customized
- Optional Chempak™ add-on utility provides a thermophysical database of almost 600 gases

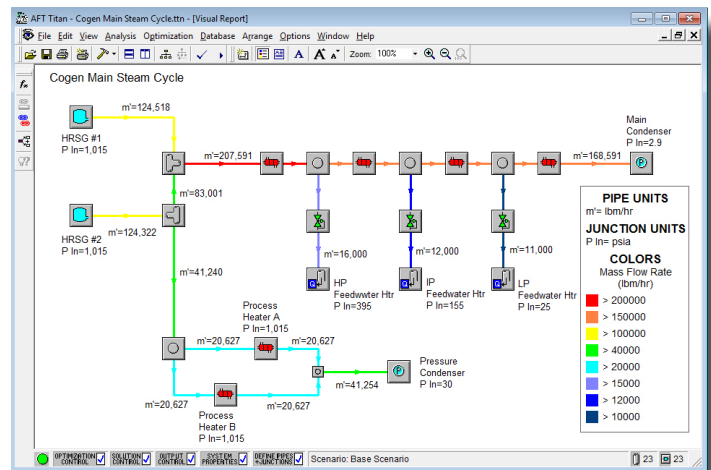


## How does it work?

AFT Titan is built on and includes all of the modeling tools and analysis capabilities of AFT Arrow. It uses IntelliFlow®, an advanced optimization engine combined with AFT Arrow's powerful compressible flow solver. AFT Titan evaluates the complex interaction of variables in your system design, revealing combinations of components that minimize cost.

## World Class Support

Your software purchase includes a free year of product upgrades and technical support provided by our team of professional engineers. We provide the fluid systems knowledge that comes with extensive real world experience.



## Get the most out of your AFT Titan software investment

Training by our professional staff helps you learn about the software's wide range of capabilities and modeling techniques. Our seminars review fundamental theory, basic through advanced techniques and hands-on modeling. Whether you're a new or experienced user, you'll find an AFT Titan seminar a worthwhile investment of your time.

AFT offers regularly scheduled seminars at our offices in the USA.

Seminars can also be held at your facility. Visit [www.aft.com/learning-center/seminars](http://www.aft.com/learning-center/seminars) for more information.

"AFT Arrow", "AFT Titan", "Applied Flow Technology", "Dynamic solutions for a fluid world" and the AFT logo are trademarks of Applied Flow Technology Corporation. "Chempak" is a trademark of Madison Technical Software Inc. "IntelliFlow" is a registered trademark of Applied Flow Technology Corporation.



2955 Professional Place, Suite 301  
 Colorado Springs, CO 80904 USA  
 (719) 686 1000  
[sales@aft.com](mailto:sales@aft.com)  
[www.aft.com](http://www.aft.com)